



### ICE CREAM/POPSICLE CART

Product Code: 11942

Dimensions: 36" Tall x 31" Wide x 36" Deep

Printable Area:

Sides: 20.25" Tall x 30.5" Wide

Front/Back: 20.25" Tall x 21.25" Wide

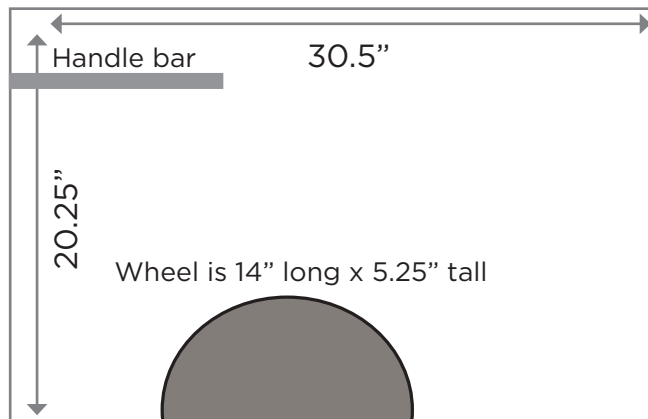


### DESIGN SPECIFICATIONS

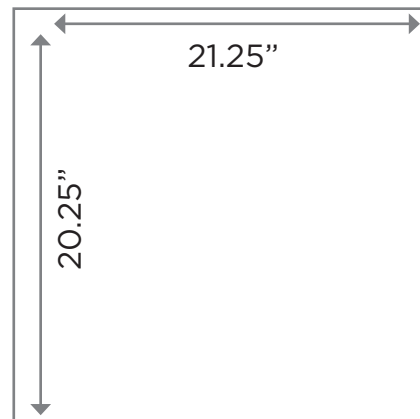
- Acceptable file formats are Adobe Illustrator (.ai), Encapsulated Postscript (.eps), Adobe Photoshop (.psd or .psb) and Adobe Acrobat (.pdf)
- Convert all text to outlines or supply fonts used
- Include any linked files with submissions or embed images
- Ensure that all graphic elements are no less than 150 DPI at full scale
- Please add 1/4" bleed to all artwork

———— Printable Area

Sides



Front and Back



Print-ready graphics are due 7 business days prior to the event date. Sooner is better!  
If files provided are not print ready or if modifications need to be made to design or content,  
Shag can help for a graphic design fee.

For questions, please contact your salesperson at: [214.742.5252](tel:214.742.5252)